

LTECH



LED Dimmer 0/1-10V Push CC 350/700/1050mA


22627

Datasheet

Technical Specs

Electronics	
Output Voltage (V DC)	3~46V
LED Output Current (max per o	1050
Power consumption (W)	48.3
Power Supply	Not applicable
LED outputs	1
Control	
Output signal	PWM-CC
Control	0-10V
Dimming Range	0~100%
Dimming Curve	Linear
Driver Configuration	Dip Switches
Wiring	
Wire Strip Length	5mm
Wire type	2,5mm2
Protection	
Reverse Polarity	Yes
Environmental	
Operating temperature	-30 ~ 55 °C
Ingress protection	IP20
EU Declaration of Conformity	
2014/30/EU Electromagnetic C EN61000-3-3:2008	
-	
HS code	8537109899

Regulations

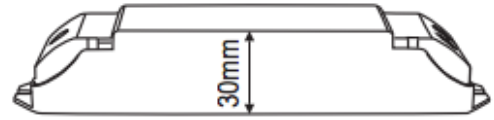
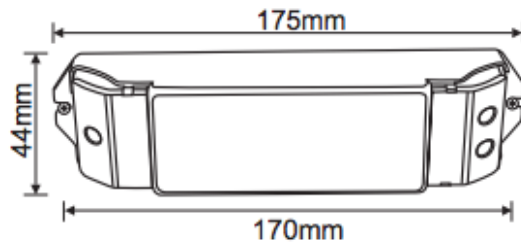
Approvals	
CE	√
FCC	FCC Part 15:2008
	

Order information

Code	Description
22627	LED Dimmer 0/1-10V Push CC 350/700/1050mA

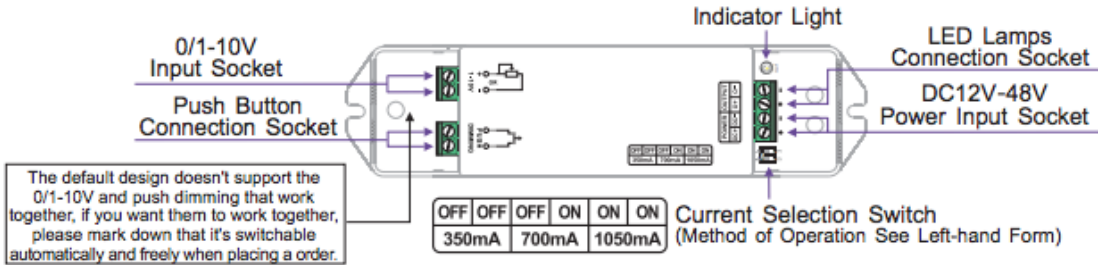
Technical Drawings

2. Product Size:

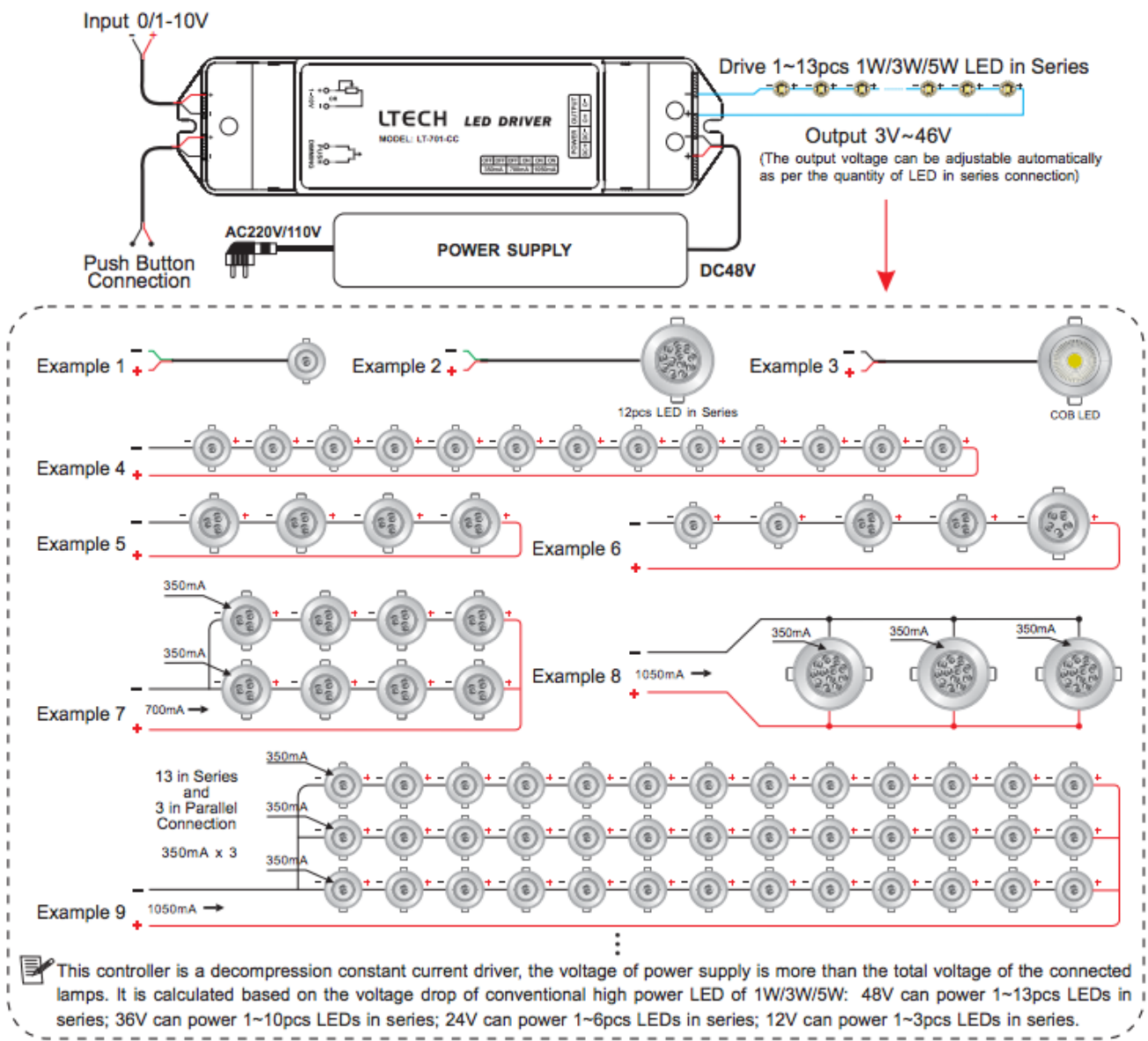


Wiring Diagrams

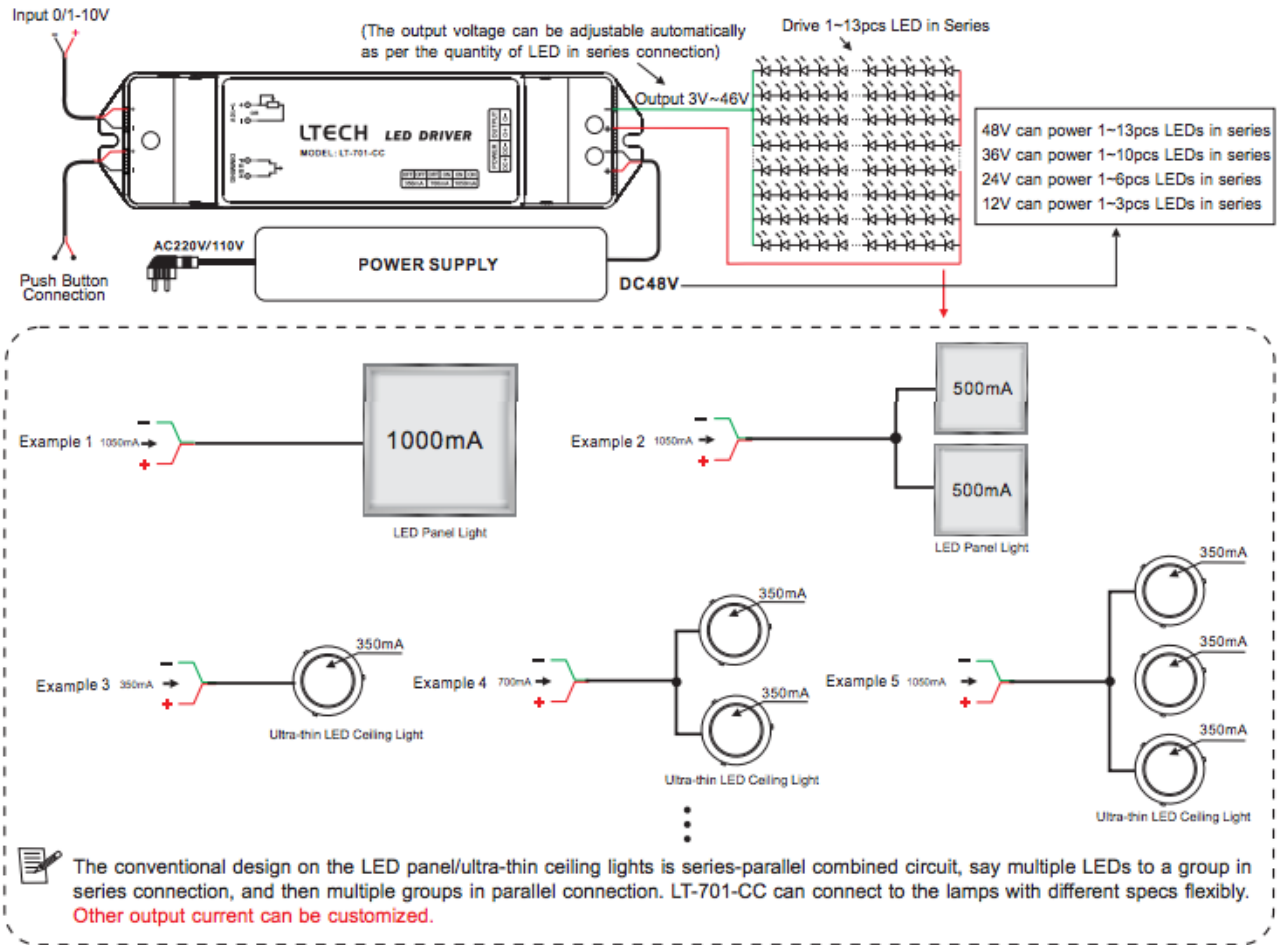
3. Conjunction Diagram:



1) Connection Diagram for High Power LED :



2) Connection Diagram for Low Power LED 5050,3528 :



3) System Connection Diagram:

