

# LTECH



**LED Remote - F8**

**22928**

**Datasheet**

[www.ltech-led.eu](http://www.ltech-led.eu) | ©2020 | Ltech Europe | All Rights Reserved.

## Technical Specs

### General

Length	145
Width (mm)	40
Height (mm)	12
Housing Color	White
Housing material	Plastic
Weight (g)	85

### Electronics

Power Supply	Not applicable
--------------	----------------

### Lighting

Color range	RGBW
-------------	------

### Control

Output signal	2,4 GHz
Protocol	RF
Remote Distance	25m
Zones	4

### Environmental

Ingress protection	IP20
--------------------	------

## Regulations

### Approvals

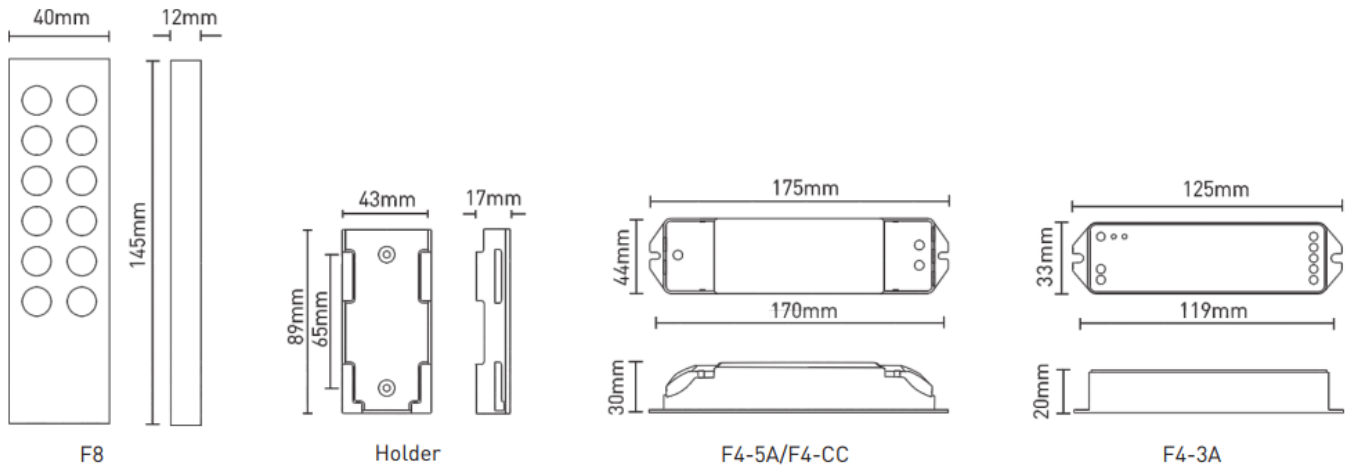
CE	√
----	---



## Order information

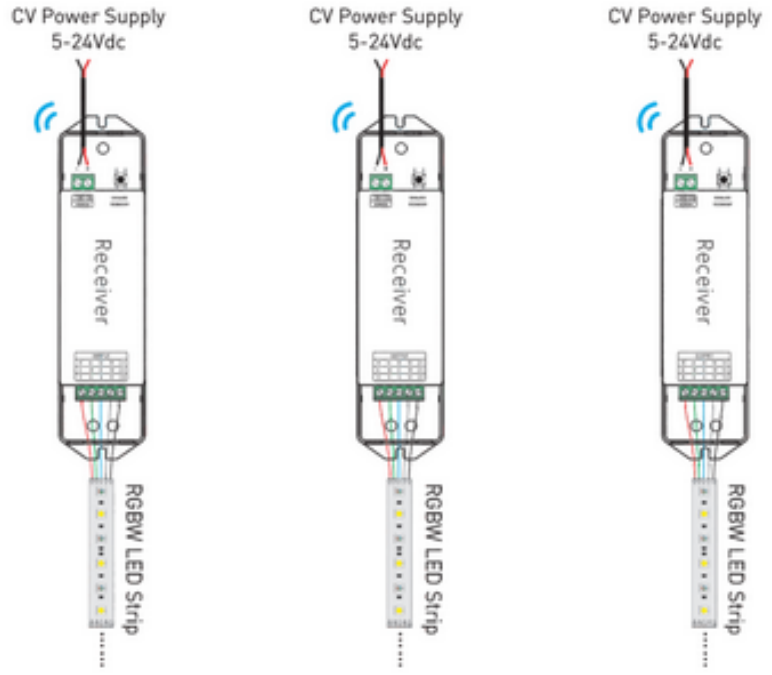
Code	Description
22928	LED Remote - F8

### Technical Drawings



# Wiring Diagrams

## Wiring Diagram :



◆ Could connect RGB/RGBW LEDs.

## Related Products

**Product name**

LED Receiver 4x5A - F4-5A

[See Online](#)

LED Receiver 4xCC - F4-CC

[See Online](#)

LED Touch Panel RGBW DMX/RF 4 Zones - EX8

[See Online](#)

