

LTECH



LED Touch Panel RGB DMX/RF - EX3

22593

Datasheet

www.ltech-led.eu | ©2020 | Ltech Europe | All Rights Reserved.

Technical Specs

| Electronics | |
|-----------------------|---------------|
| Input Voltage | 100 ~ 240V AC |
| Power Supply | Internal |
| Lighting | |
| Color range | RGB |
| Control | |
| Output | DMX, RF |
| Zones | 1 |
| Environmental | |
| Operating temperature | -30 ~ 55 °C |
| Ingress protection | IP20 |

Regulations

| Approvals | |
|-----------|---|
| CE | √ |



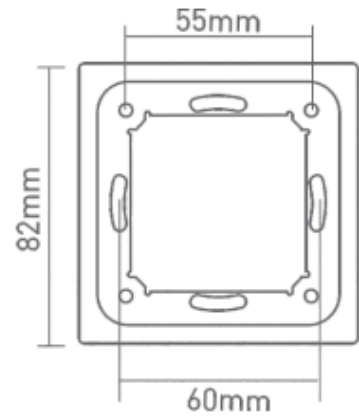
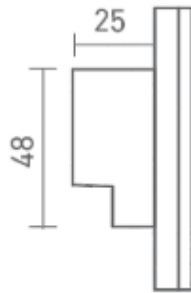
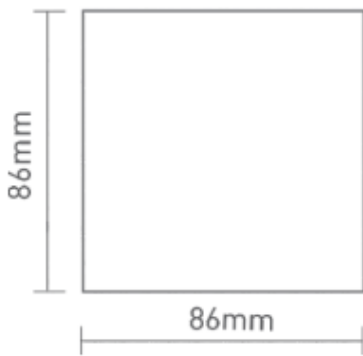
Order information

| Code | Description |
|-------|----------------------------------|
| 22593 | LED Touch Panel RGB DMX/RF - EX3 |

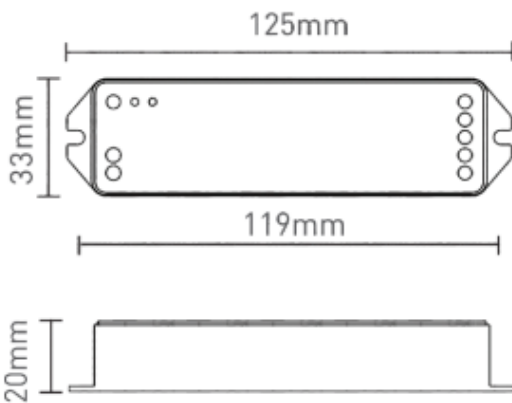
Technical Drawings

Product Size:

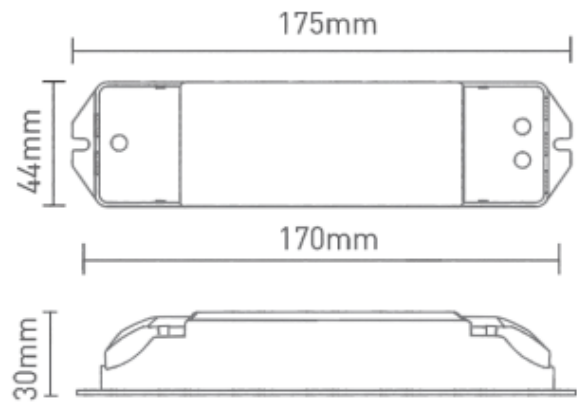
LTECH



EX3



F4-3A

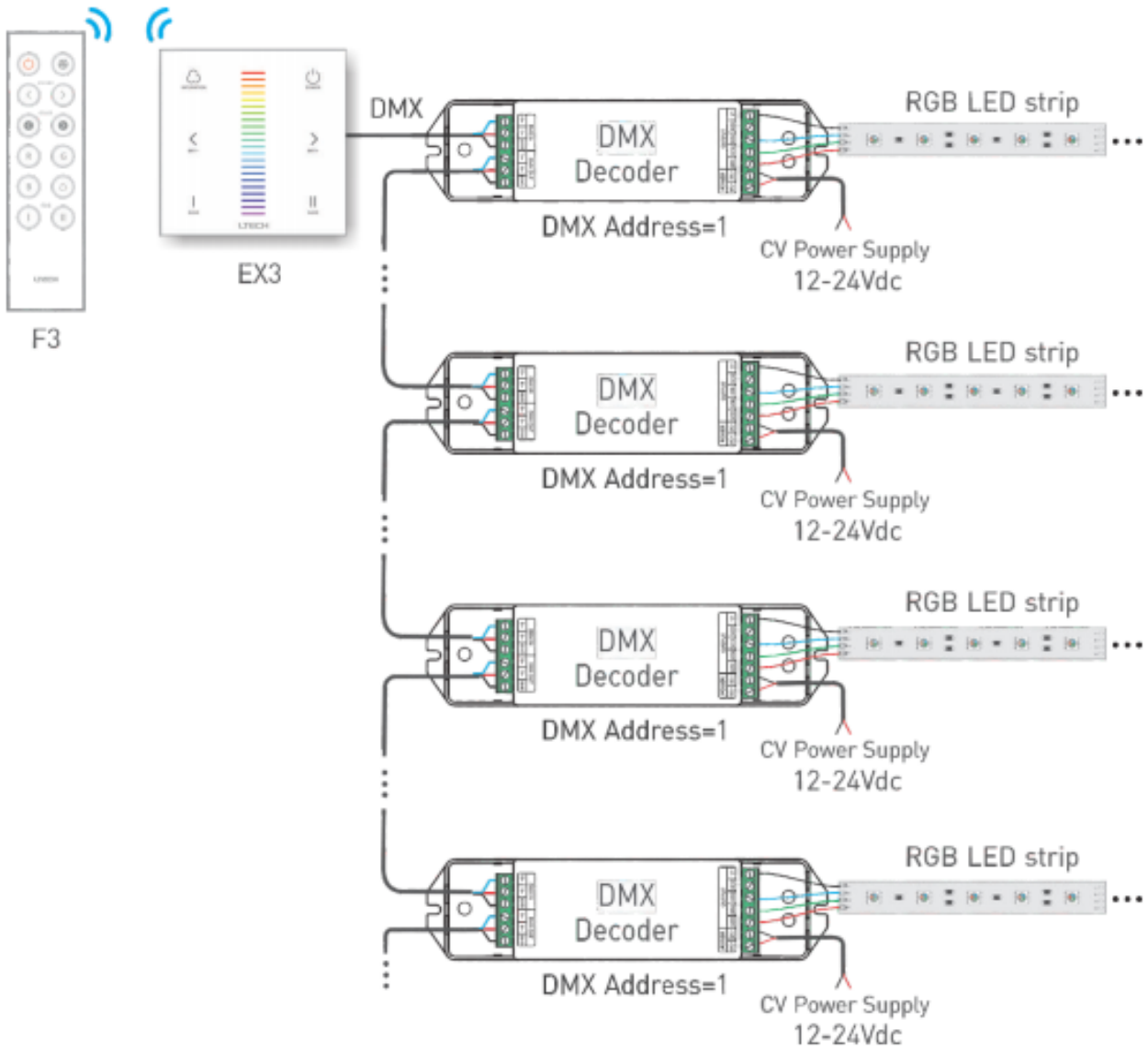


F4-5A/F4-CC

Wiring Diagrams

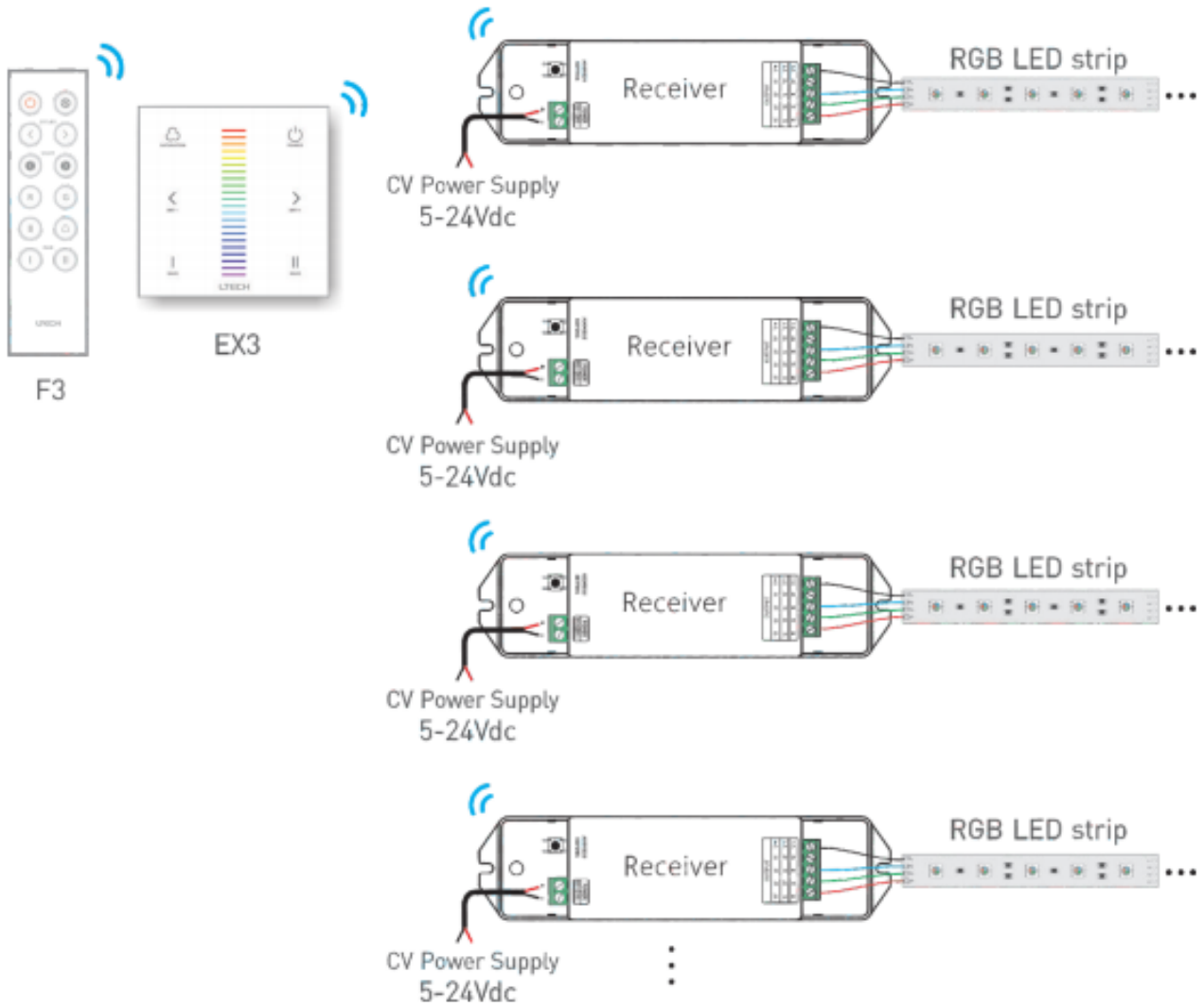
DMX Wiring:

LTECH



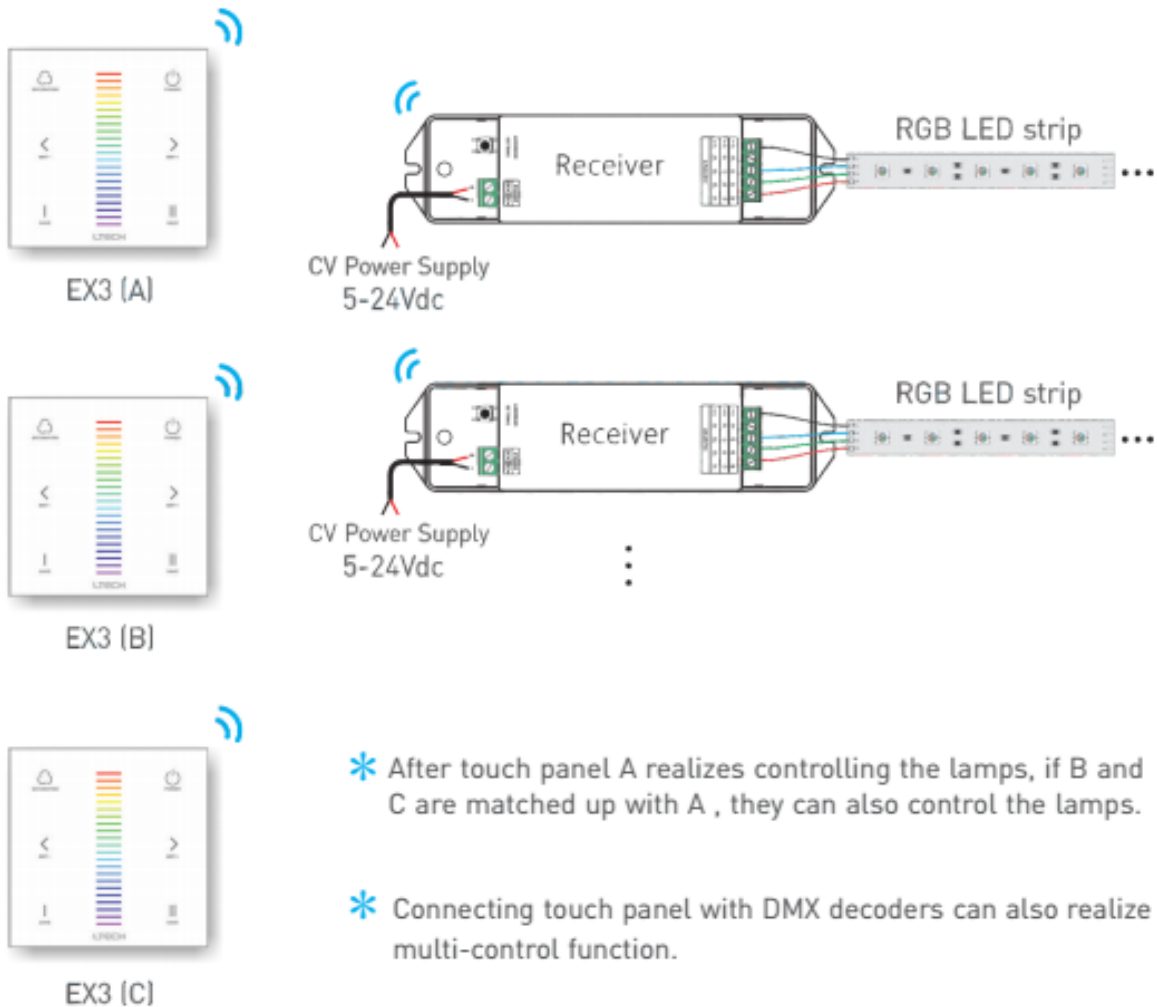
RF Wireless Wiring:

LTECH



Multi-control Wiring:

LTECH



Related Products

| Product name | |
|---|----------------------------|
| LED Controller DMX 3x350mA - LT-830-350 | See Online |
| LED Controller DMX 3x700mA - LT-830-700 | See Online |
| LED Controller DMX 4x6A - LT-840-6A | See Online |
| LED Controller DMX 4x350mA - LT-840-350 | See Online |
| LED Controller DMX 3x8A - LT-830-8A | See Online |
| LED Controller DMX 4x700mA - LT-840-700 | See Online |
| LED Controller DMX Digital 4x5A - LT-820-5A | See Online |
| LED Controller DMX 1x12A - LT-801-12A | See Online |
| LED Receiver 4x5A - F4-5A | See Online |
| LED Receiver 4xCC - F4-CC | See Online |
| LED Remote - F3 | See Online |

