

# LTECH



LED Controller DMX OLED 32x3A - LT-932-OLED

**Datasheet**

[www.ltech-led.eu](http://www.ltech-led.eu) | ©2019 | Ltech Europe | All Rights Reserved.

## Technical Specs

### General

Functions RDM

### Lighting specs

Color range Warm White, White, Adjustable White, Single Color, RGB, RGBW

### Electronics

Power consumption 2304W

LED Output Current (max per o 3A

Current max. 96 A

LED outputs 32

LED Output Voltage 12-24V

### Control Characteristics

Output PWM-CV

Dimming Protocol DMX

Dimming Range 0~100%

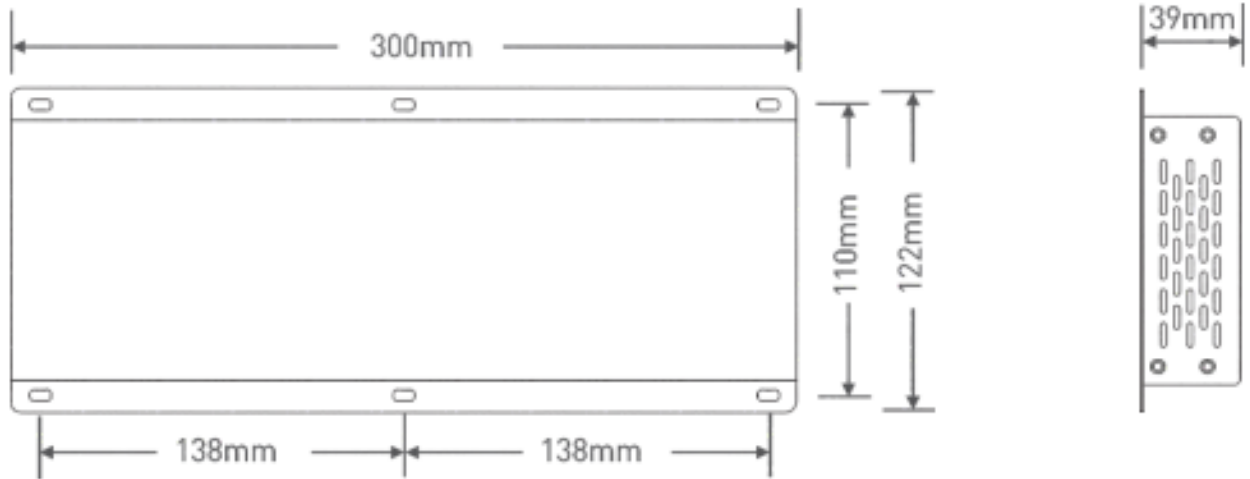
### Environmental

Ingress protection IP44

Operating temperature -30 ~ 55 °C

## Technical Drawings

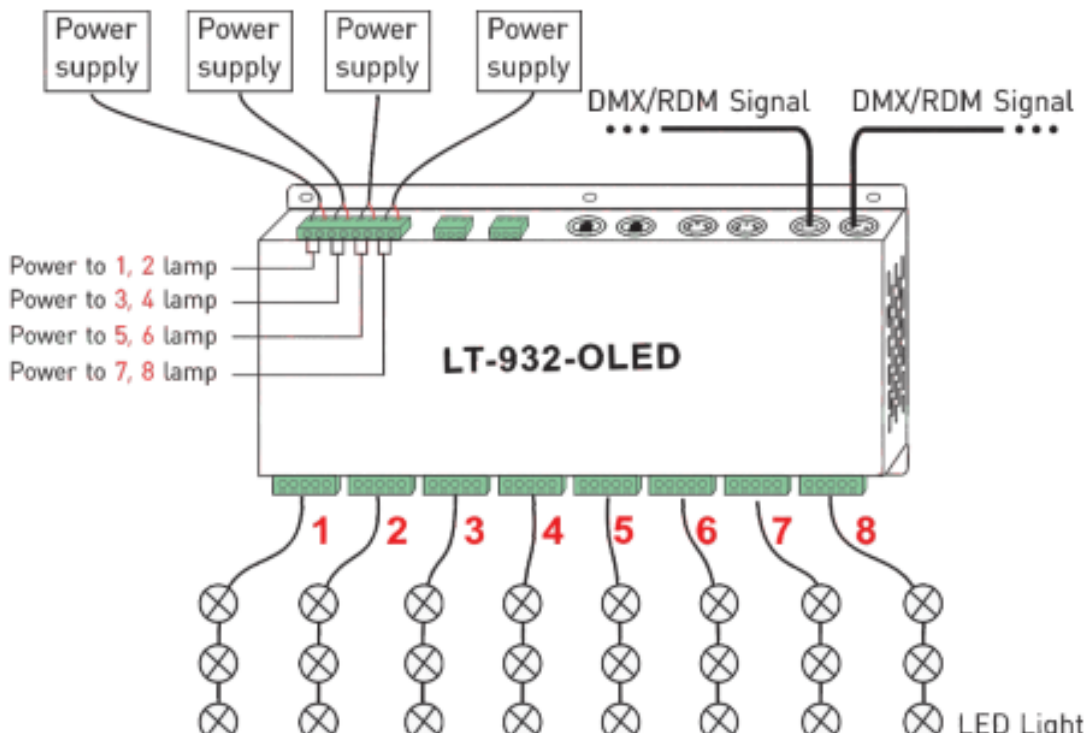
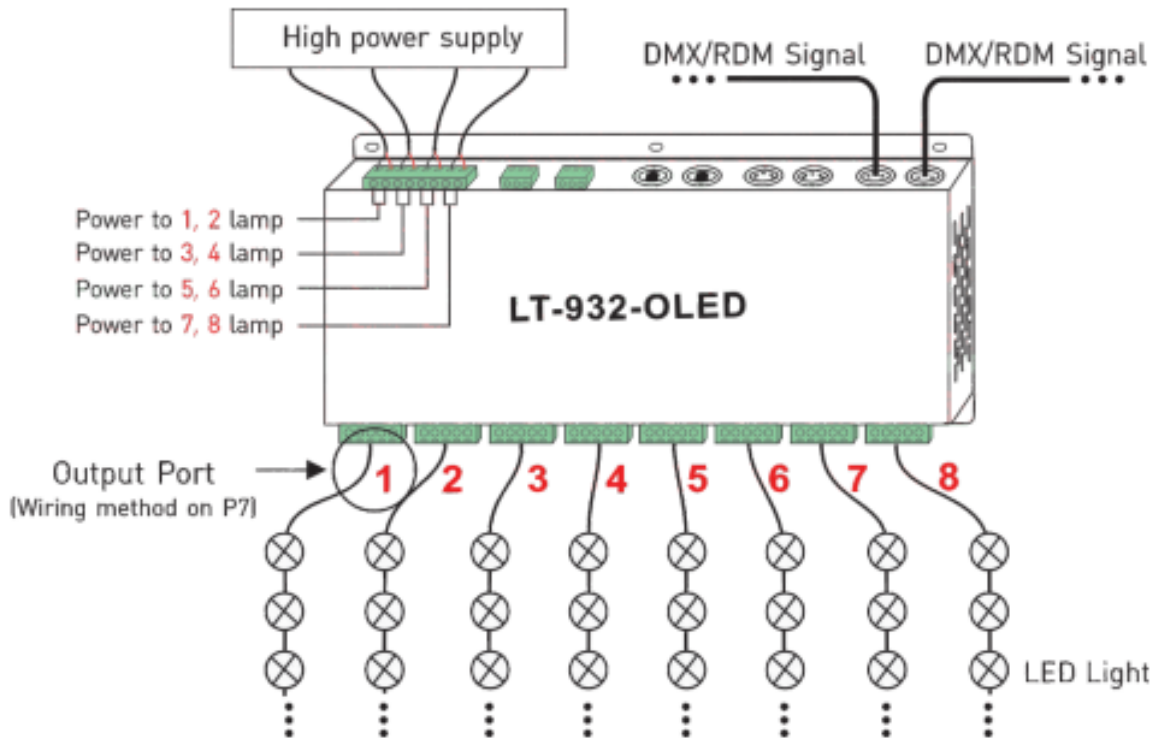
### Product Size:

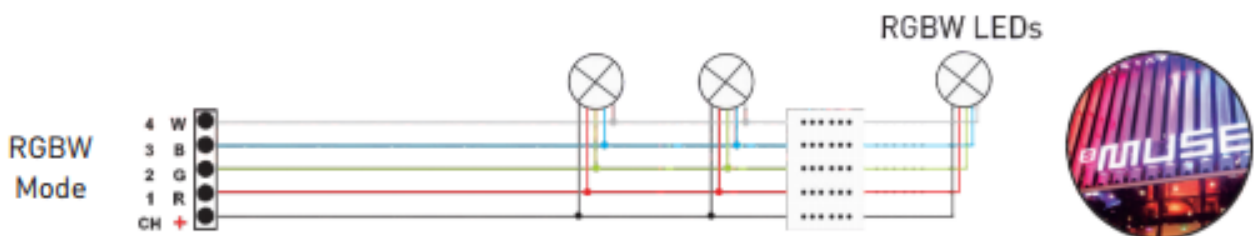
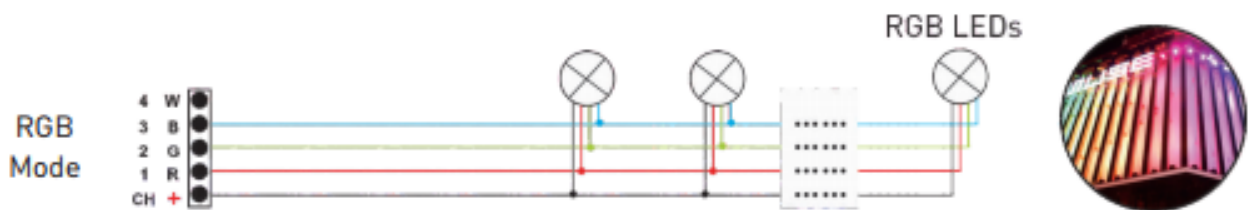
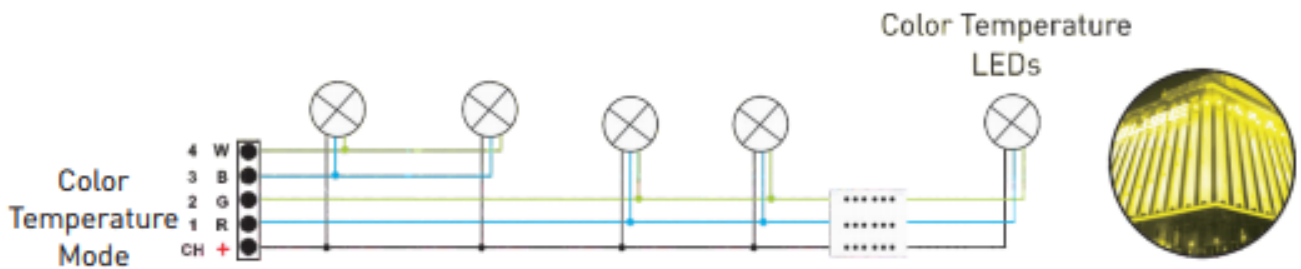
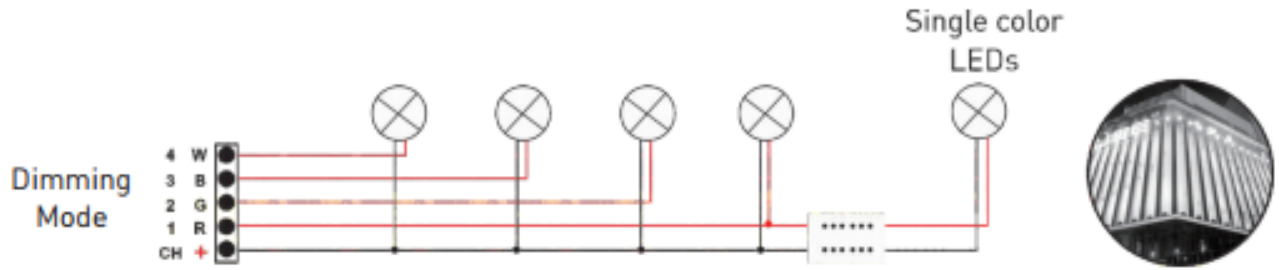


## Wiring Diagrams

## Wiring diagram:

### 1 Connecting LED lights:





## Order information

Code	Description
22793	LED Controller DMX OLED 32x3A - LT-932-OLED