

Technical Specs

General

Functions	RDM
-----------	-----

Lighting specs

LED quantity	1~12 x 4CH
Color range	RGBW, RGB, Single Color

Electronics

Power consumption	193.2W
LED Output Current (max per o	1050mA
Current max.	1050mA
LED outputs	4
LED Output Voltage	3~46V

Control Characteristics

Output	PWM-CC
Dimming Protocol	DMX
Number of channels	4
Dimming Range	0~100%
Dimming Curve	Linear
Driver Configuration	Software

Wiring Specifications

Wire type	2,5mm2
Wire Strip Length	5mm

Protection

Reverse Polarity	Yes
LED Output Short	Yes
Overload	Yes
Restart after protection	Yes

Environmental

Ingress protection	IP44
Operating temperature	-30 ~ 65 °C

Regulations

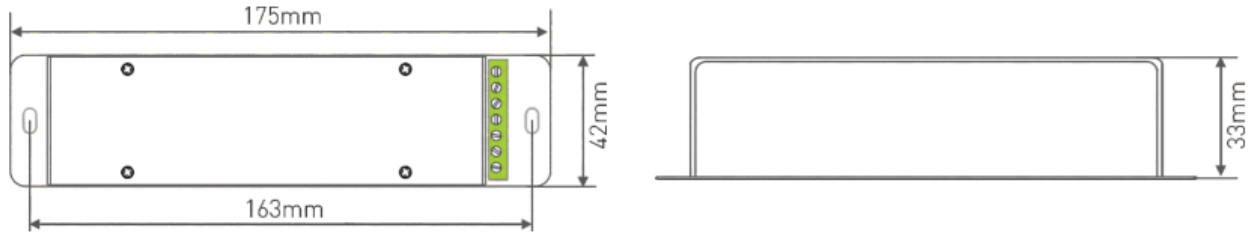
Approvals

CE EMC	√
FCC	FCC Part 15:2009
RoHS2	√

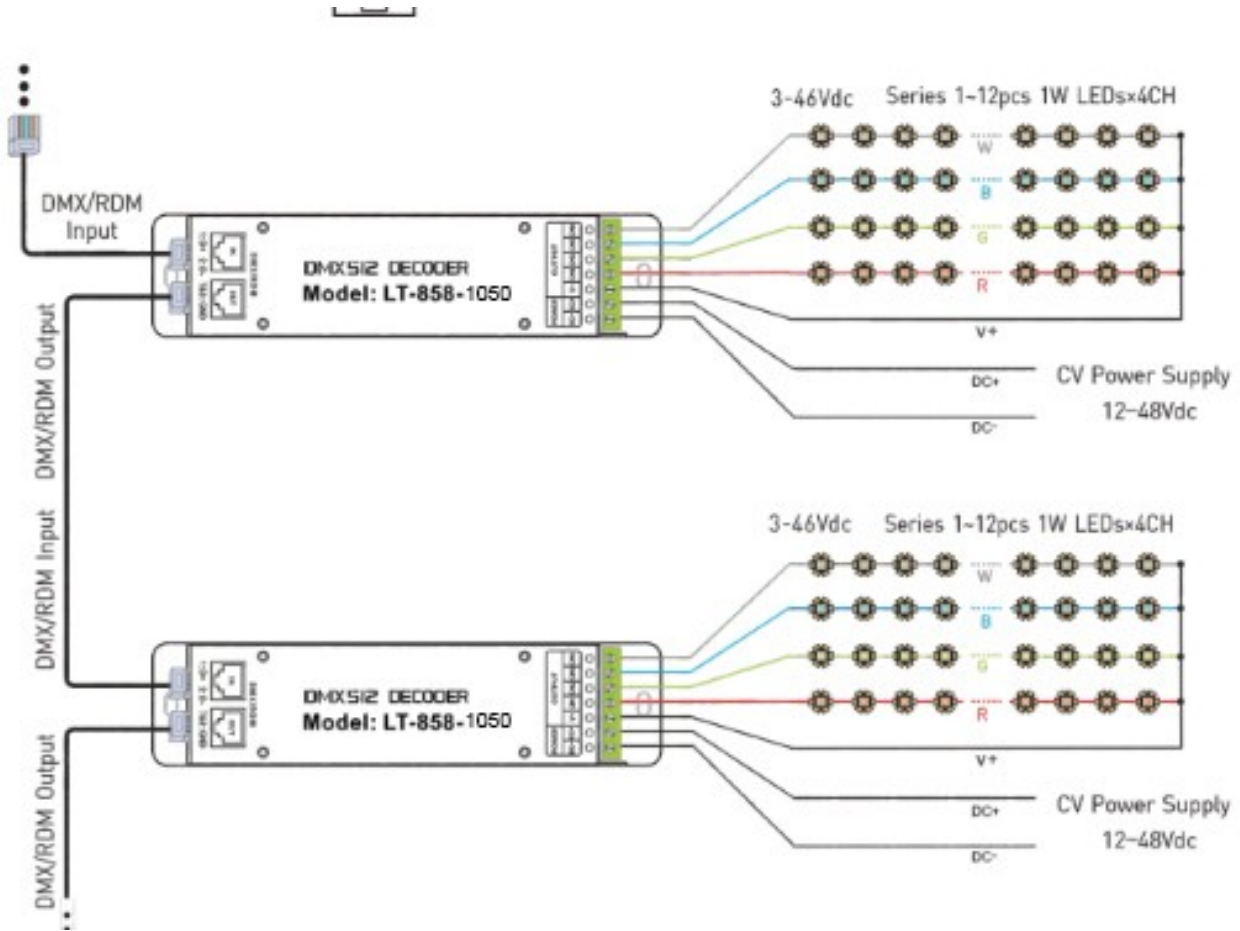


Technical Drawings

2. Product Size:



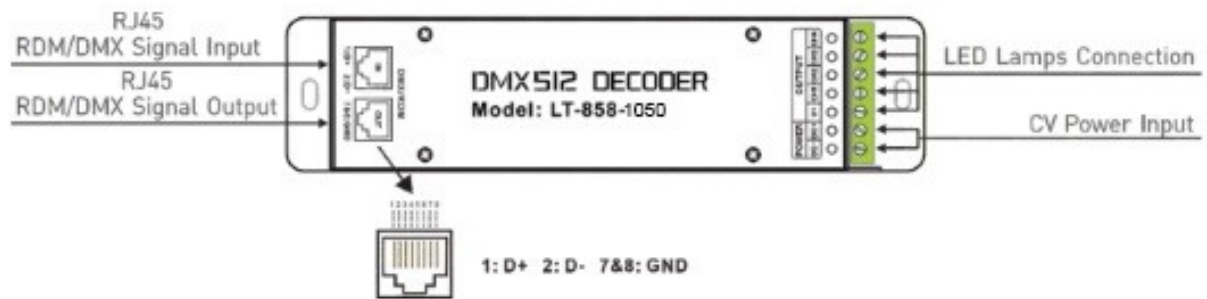
Wiring Diagrams





LT-858-CC DMX/RDM 4CH CC Decoder

4. Wiring Diagram:



Order information

Code	Description
22736	LED Controller DMX 4x1050mA - LT-858-1050