

# LTECH



## LED Remote - V2

22572

### Datasheet

## Technical Specs

| General               |                    |
|-----------------------|--------------------|
| Product Type          | Wireless           |
| Electronics           |                    |
| Power Supply          | N/A                |
| Lighting              |                    |
| Color Range           | Tunable White      |
| Control               |                    |
| Output Signal         | RF                 |
| Control               | Manual             |
| Remote Distance       | 25m                |
| Zones                 | 1                  |
| Functions             | Remote, Wall-mount |
| Environmental         |                    |
| Operating Temperature | -20 ~ +50 °C       |
| Ingress Protection    | IP20               |

## Regulations

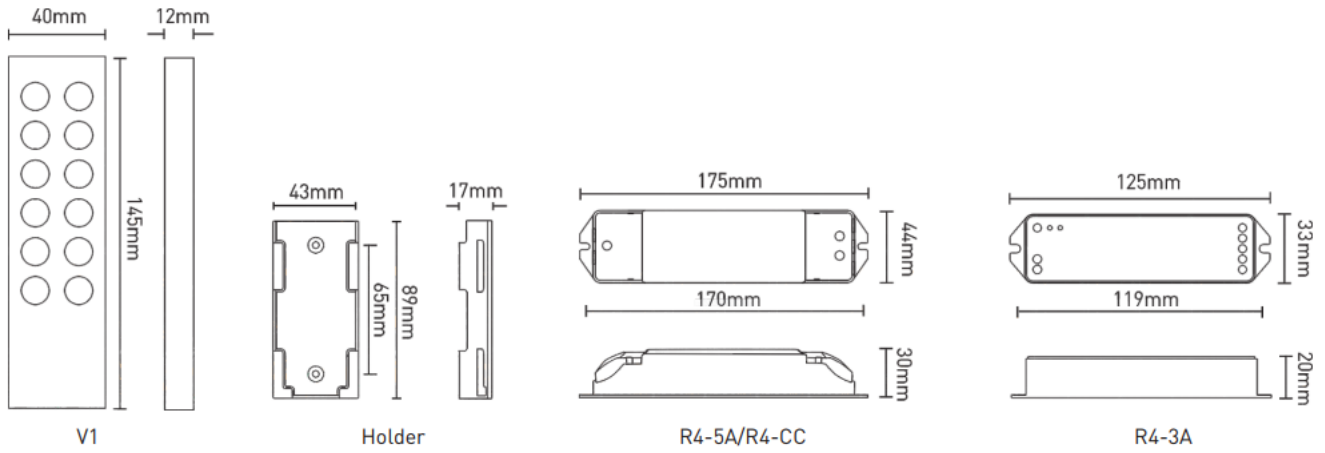
| Approvals |   |
|-----------|---|
| CE        | √ |



## Order information

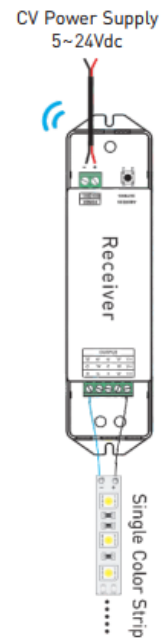
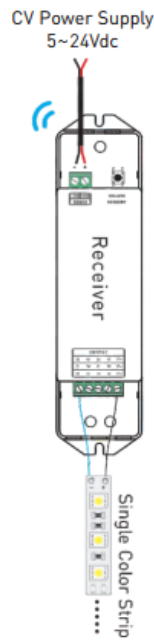
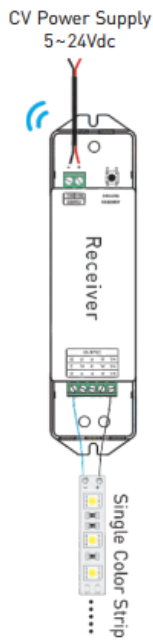
| Code  | Description     |
|-------|-----------------|
| 22572 | LED Remote - V2 |

# Technical Drawings



# Wiring Diagrams

## Wiring Diagram :



...

## Related Products

---

**Product name**

---

LED Receiver RF 4xCC - R4-CC

[See Online](#)

LED Receiver RF 4x5A - R4-5A

[See Online](#)

