

LTECH



LED Remote - V1

Datasheet

www.ltech-led.eu | ©2019 | Ltech Europe | All Rights Reserved.

Technical Specs

General

Functions	Wall-mount, Remote
-----------	--------------------

Lighting specs

Color range	Single Color
-------------	--------------

Control Characteristics

Output	2,4 GHz
--------	---------

Dimming Protocol	RF
------------------	----

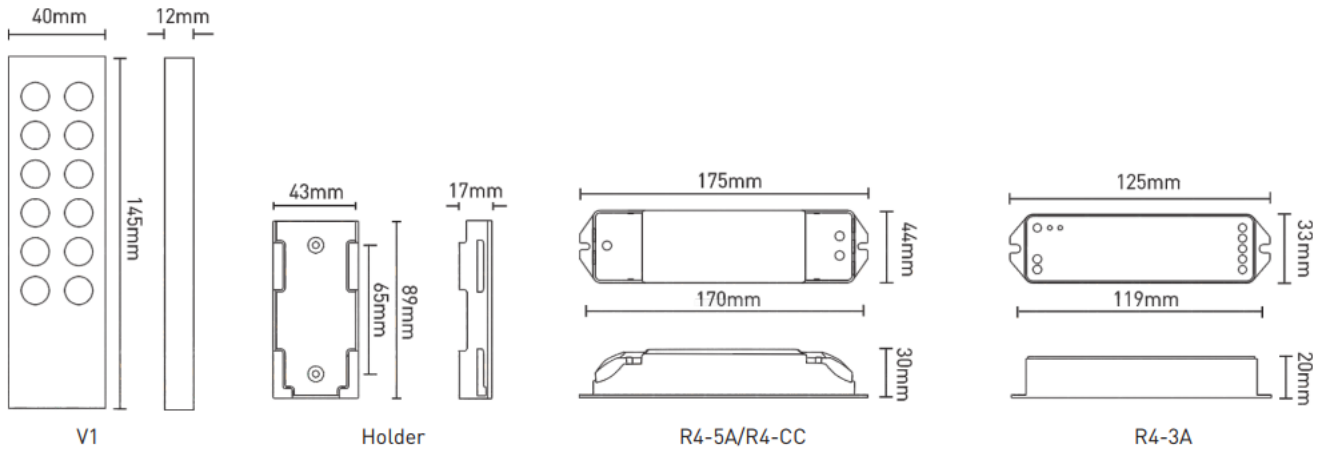
Remote Distance	30m
-----------------	-----

Environmental

Ingress protection	IP44
--------------------	------

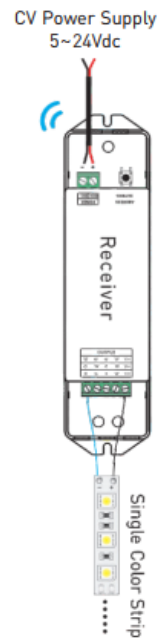
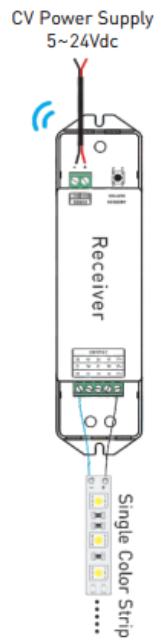
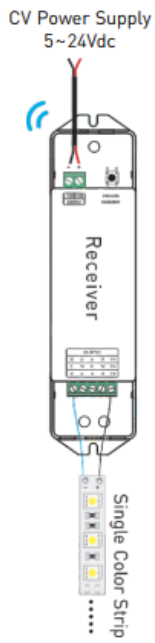
Operating temperature	-20 ~ 50 °C
-----------------------	-------------

Technical Drawings



Wiring Diagrams

Wiring Diagram :



...

Order information

Code	Description
22571	LED Remote - V1

Related Products

Product name	
LED Receiver WiFi/DX/V 4x3A - R4-3A	See Online
LED Receiver Wifi/DX/V 4xCC - R4-CC	See Online
LED Receiver WiFi/DX/V 4x5A - R4-5A	See Online
LED Touch Panel DIM DMX/RF/WIFI - UX1	See Online

