



LED Mini RF SPI - SPI-16S

22669

Datasheet

Technical Specs

General	
Length	104
Width (mm)	58
Height (mm)	9
Housing Color	White
Housing material	Plastic
Weight (g)	42
Functions	Remote, programmable

Electronics	
Output power (W)	50W @ 5V, 120W @ 12V, 240W @ 24V
Power Supply	Not applicable
LED outputs	1

Control	
Output signal	SPI(TTL)
Protocol	Manual
Dimming Range	0~100%
Remote Distance	30m

Wiring	
Wire Strip Length	5mm
Wire type	2,5mm ²

Protection	
Reverse Polarity	Yes

Environmental	
Operating temperature	-20 ~ 55 °C
Ingress protection	IP20

EU Declaration of Conformity	
2014/30/EU Electromagnetic C ETSI EN 301 489-1 V1.9.2 (2011-09), ETSI EN 301 489-3 V1.4.1 (2002-08), ETSI EN 300 220-1 V2.4.1 (2012-05), ETSI EN 300 220-2 V2.4.1 (2012-05)	

Regulations

Approvals	
CE	√
FCC	FCC Part 15:2009

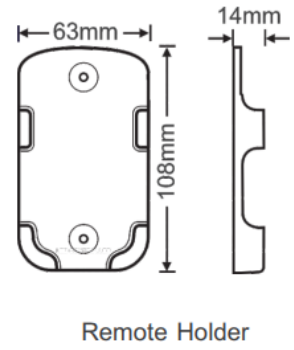
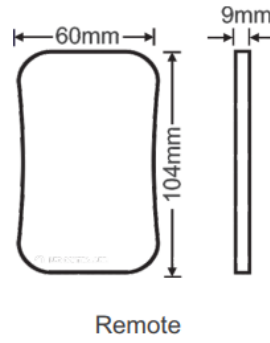
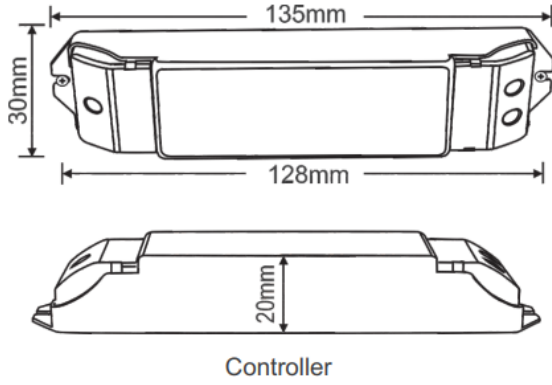


Order information

Code	Description
22669	LED Mini RF SPI - SPI-16S

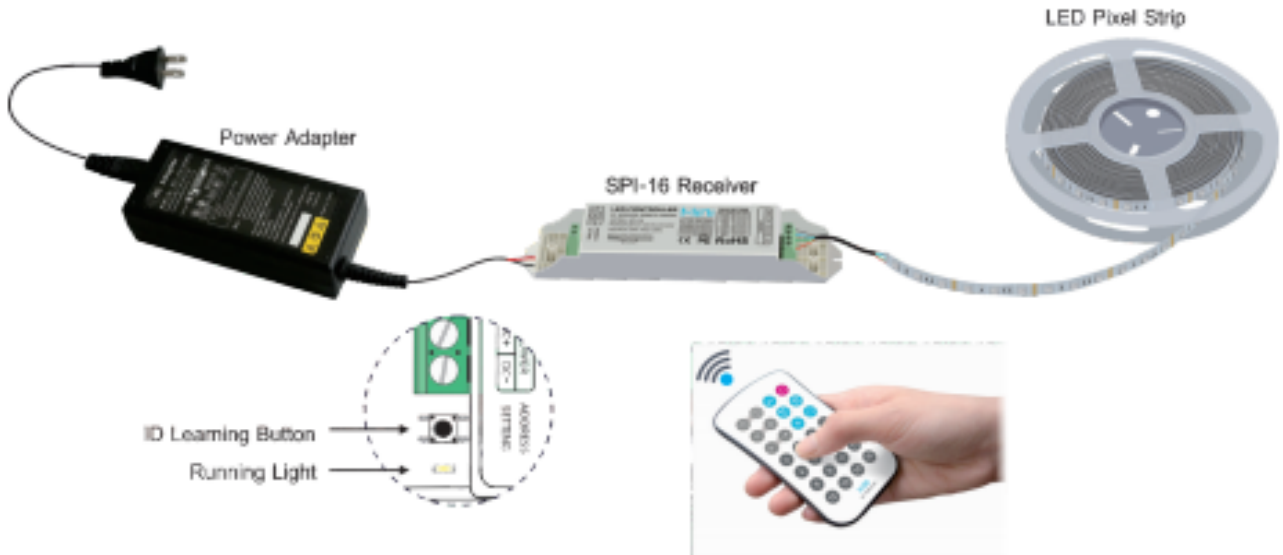
Technical Drawings

2. Product Dimension:



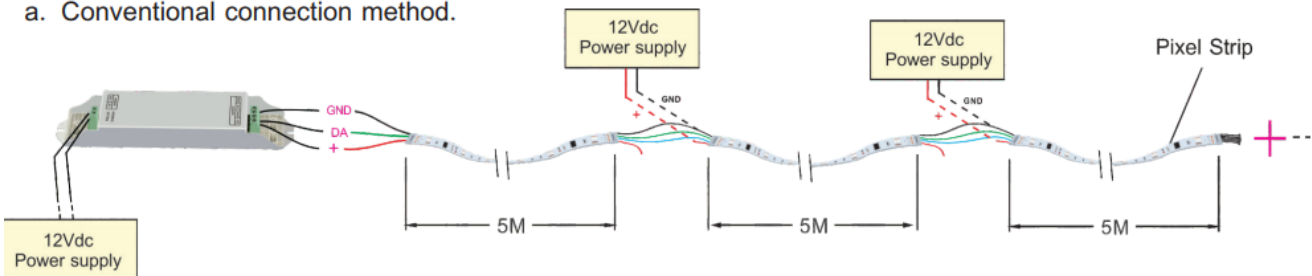
Wiring Diagrams

5. Wiring Diagram:



5.4 LED pixel strip wiring diagram:

a. Conventional connection method.



b. Light fixtures and controller using different operating voltages.

