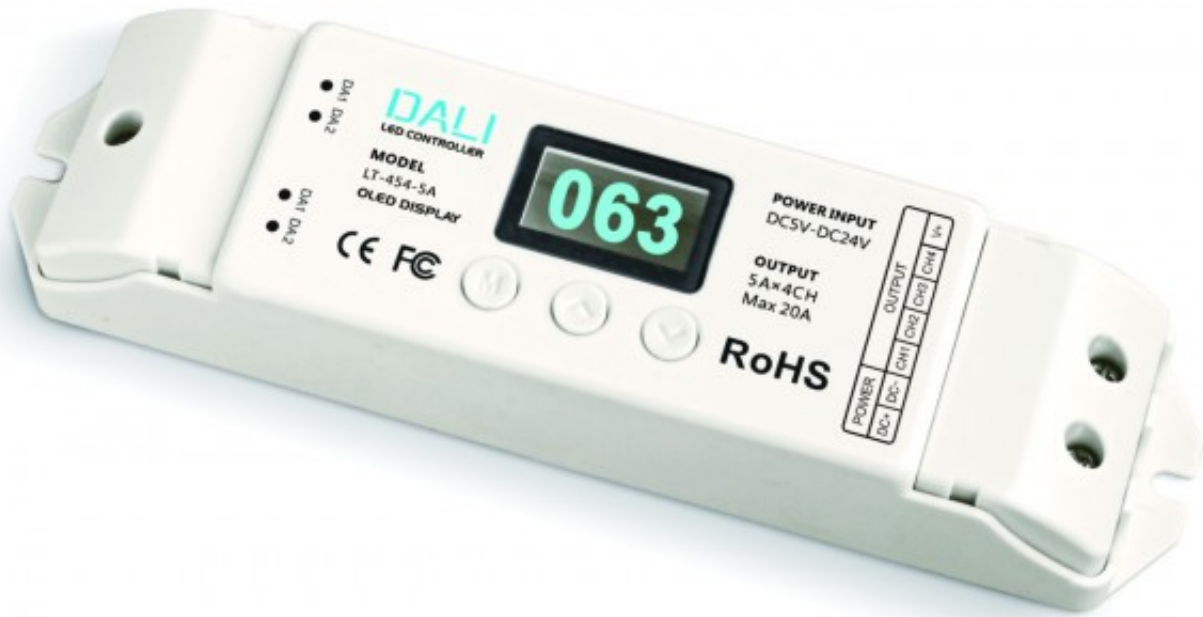


LTECH



LED Controller DALI OLED 4x5A - LT-454-5A

Datasheet

www.ltech-led.eu | ©2019 | Ltech Europe | All Rights Reserved.

Technical Specs

Electronics

Power consumption	240W
LED Output Current (max per o	5A
Current max.	20A
LED outputs	4
LED Output Voltage	5~24 V
Output power	100W @ 5V, 240W, 480W @ 24V

Control Characteristics

Output	PWM-CV
Dimming Protocol	DALI
Number of channels	4
Dimming Range	0~100%
Driver Configuration	Buttons Control Panel

Wiring Specifications

Wire type	2,5mm2
Wire Strip Length	5mm

Protection

Reverse Polarity	Yes
LED Output Short	Yes
Overload	Yes
Restart after protection	Yes

Environmental

Ingress protection	IP44
Operating temperature	-30 ~ 55 °C

Regulations

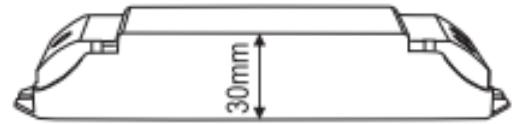
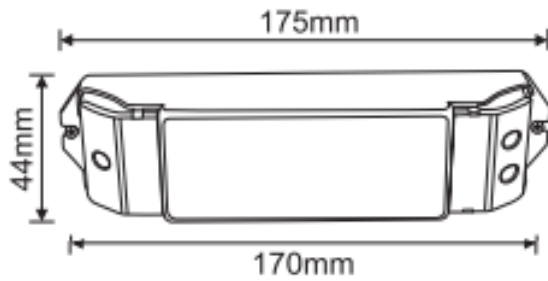
Approvals

CE EMC	√
FCC	FCC Part 15:2013
RoHS2	√



Technical Drawings

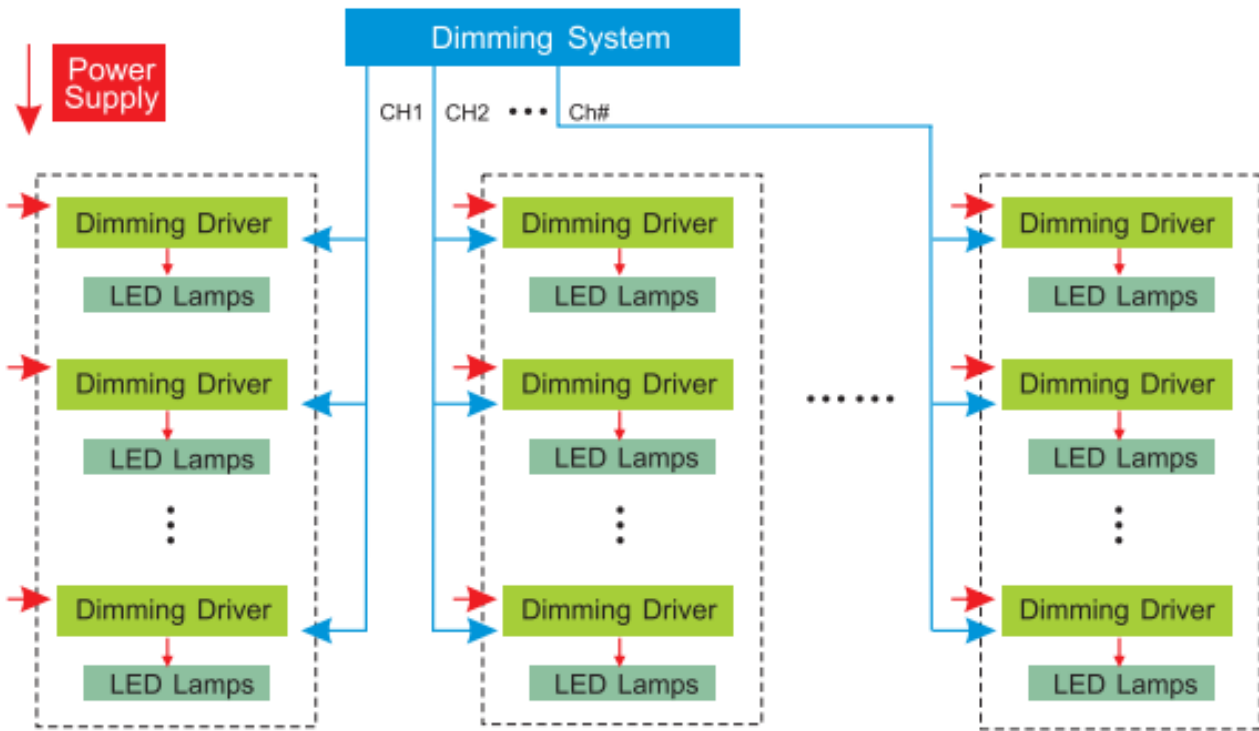
2. Product Size:



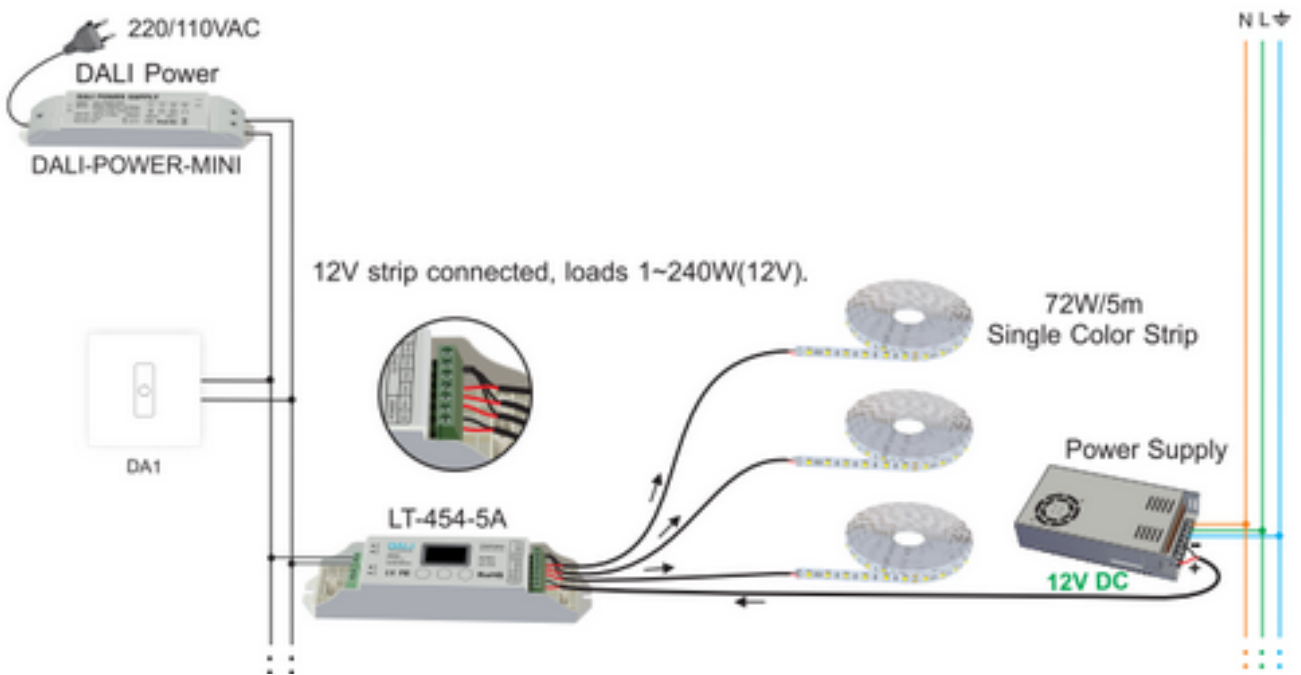
Wiring Diagrams

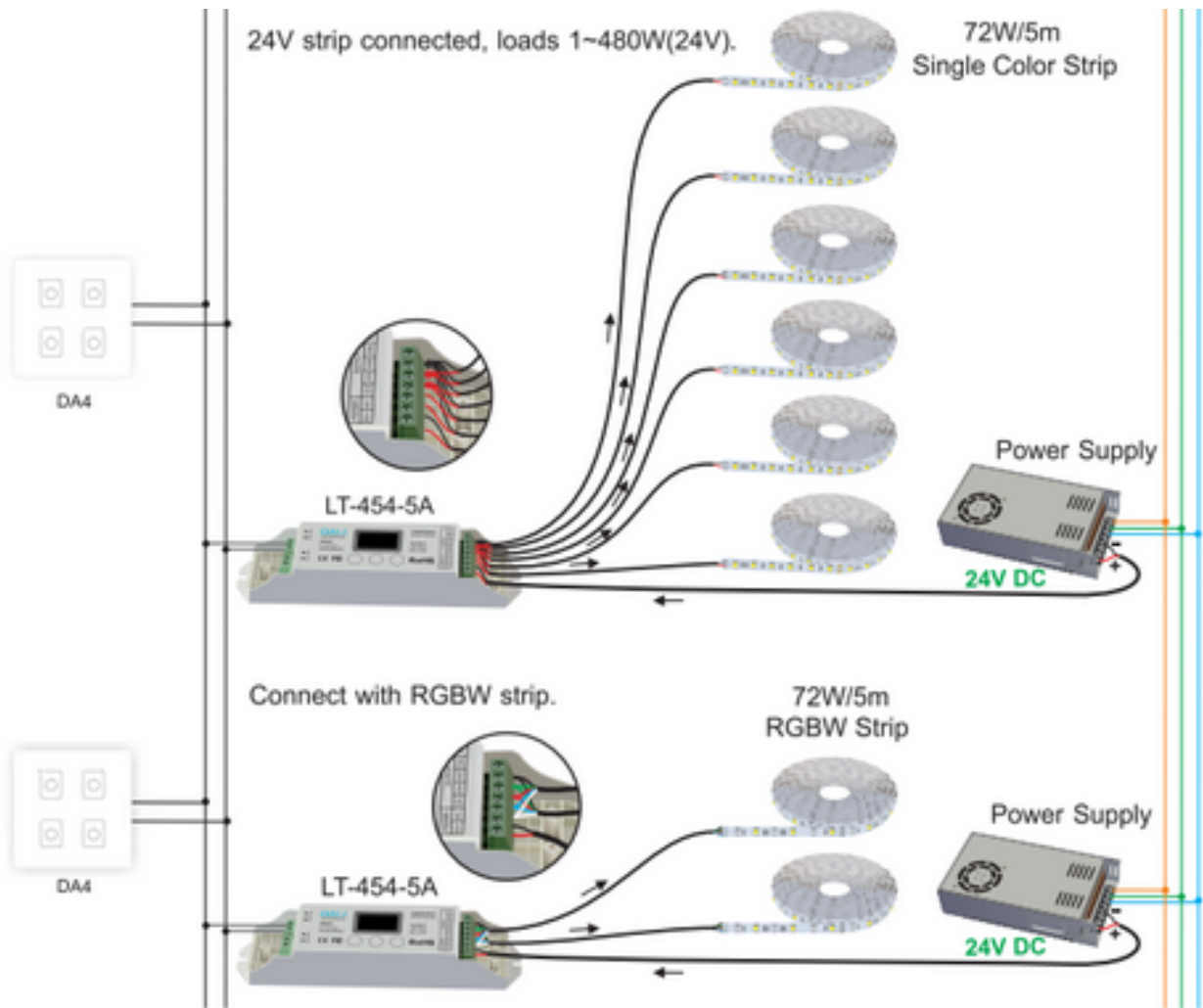
4. Wiring Diagram:

4.1 System connection diagram:



4.2 Connect with single color or RGBW strips.





Order information

Code	Description
22648	LED Controller DALI OLED 4x5A - LT-454-5A