



## LED Receiver RF 4x5A - R4-5A

22565

### Datasheet

## Technical Specs

General	
Product Type	Constant Voltage Driver, Wireless
Length (mm)	175
Width (mm)	44
Height (mm)	30
Housing Color	White
Housing Material	PC
Mounting	Surface mounted
Weight (g)	150
Electronics	
Input Domain	DC
Input Voltage	5 ~ 24V DC
Output Voltage	5 ~ 24 V DC
LED Output Current (max per o	5000
Output Current Max. (A)	20
Output Power (W)	100W @ 5V, 240W @ 12V, 480W @ 24V
Power Supply	N/A
LED Outputs	4
Lighting	
Color Range	RGBW
Control	
Output Signal	PWM-CV
Control	Radio Frequency
Environmental	
Operating Temperature	-30 ~ 55 °C
Ingress Protection	IP20
Environment	Indoor
-	
ETIM Classification	EC002924 Controller for luminaires
HS Code	8537109899
Country of Origin	People's Republic of China

## Regulations

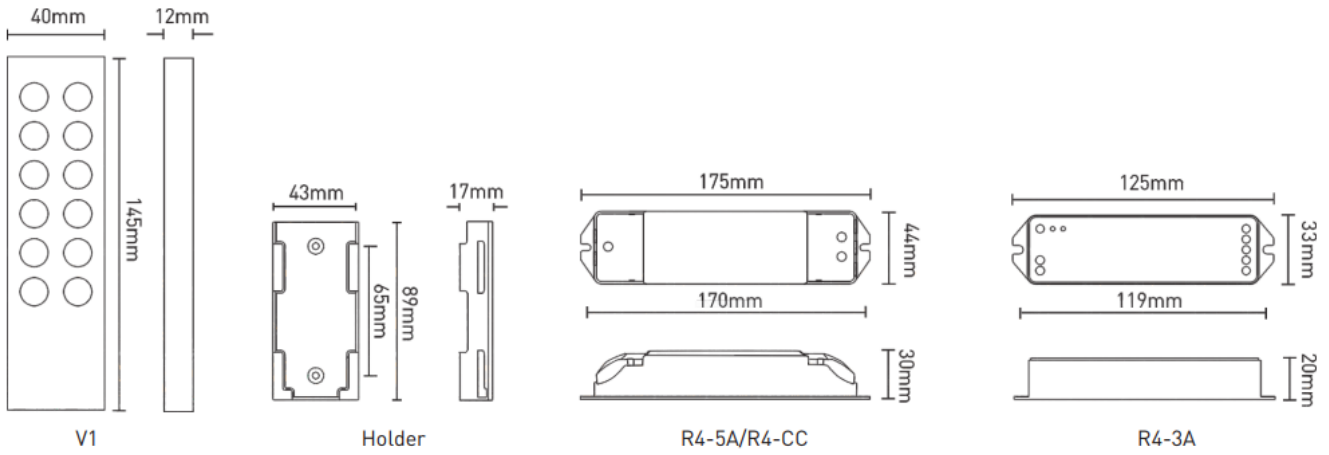
Approvals	
CE	√



## Order information

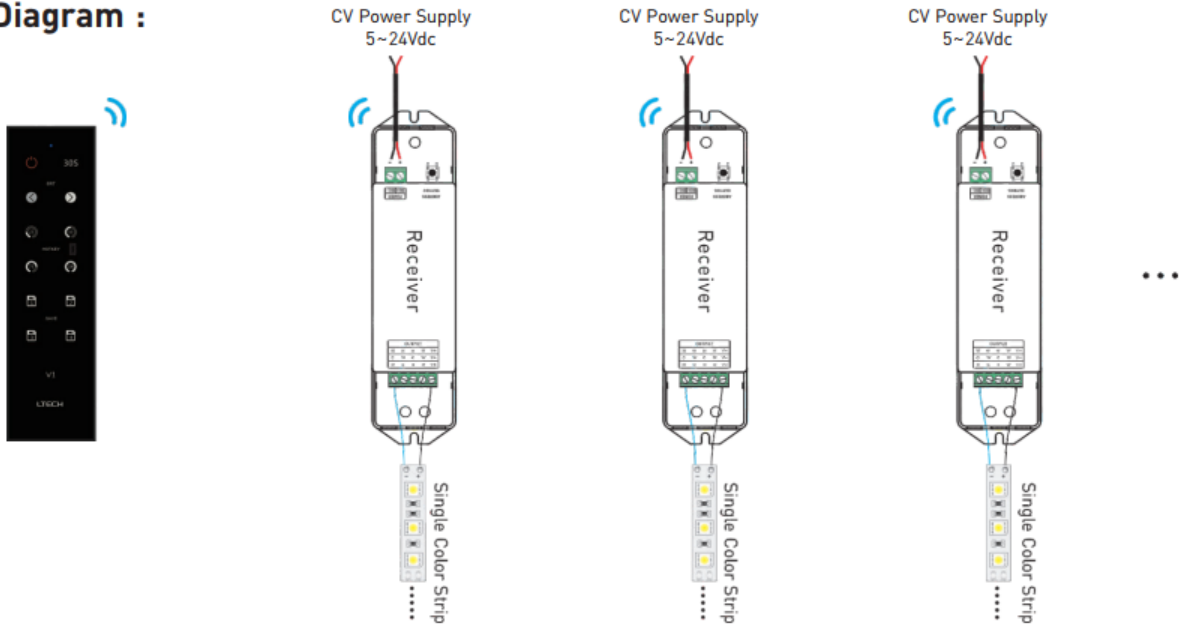
Code	Description
22565	LED Receiver RF 4x5A - R4-5A

### Technical Drawings

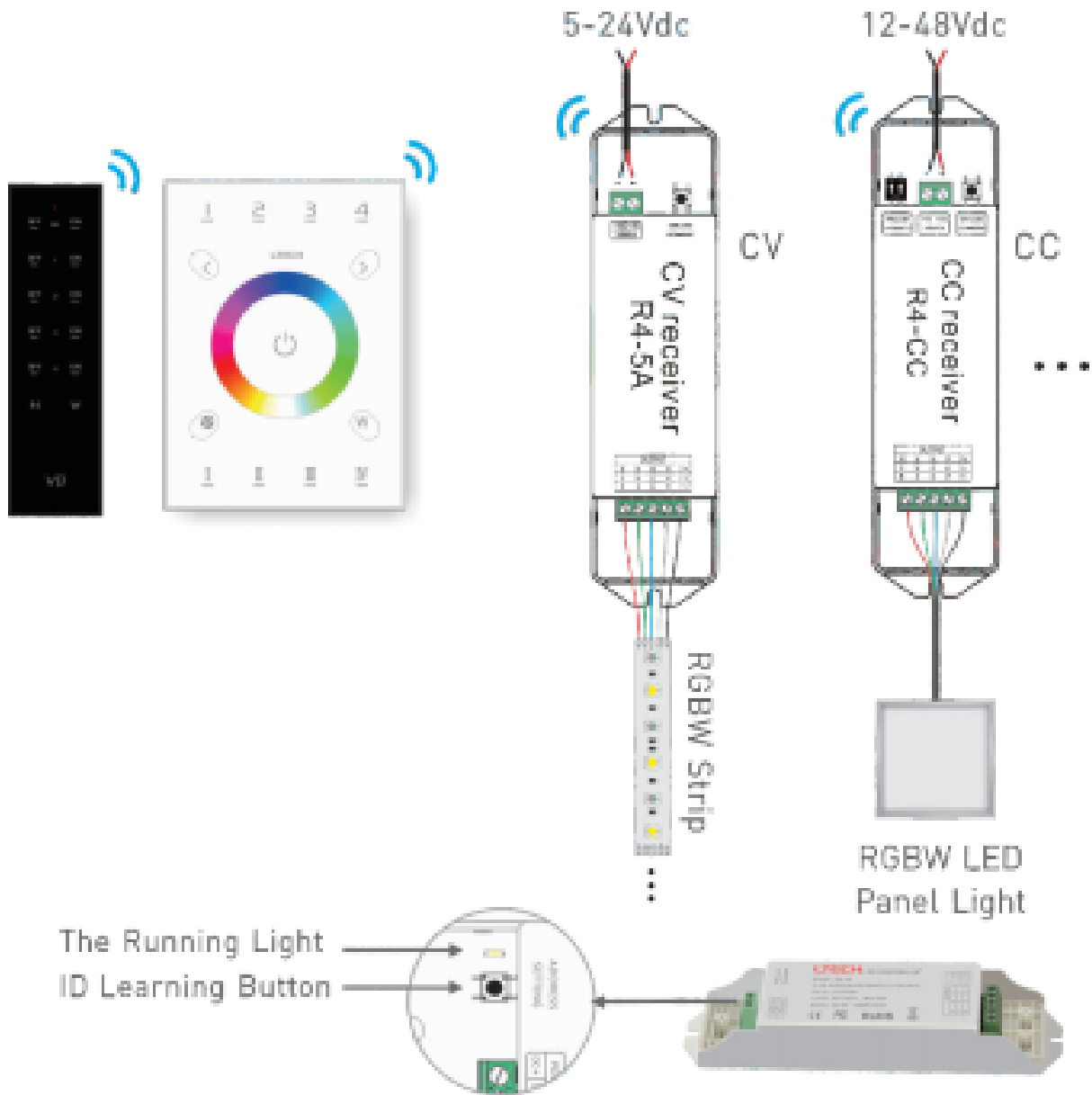


# Wiring Diagrams

## Wiring Diagram :



# RF Wireless Wiring



## Related Products

Product name	
LED Controller WiFi RGBW - WiFi-104	<a href="#">See Online</a>
LED Dimmer Touch DIM DMX/RF 4 zones - DX5	<a href="#">See Online</a>
LED Controller Touch RGBW DMX/RF 4 zones - DX8	<a href="#">See Online</a>
LED Remote - V1	<a href="#">See Online</a>
LED Remote - V2	<a href="#">See Online</a>
LED Remote - V3	<a href="#">See Online</a>
LED Remote - V4	<a href="#">See Online</a>
LED Remote - V5	<a href="#">See Online</a>
LED Remote - V6	<a href="#">See Online</a>
LED Remote - V8	<a href="#">See Online</a>
LED Dimmer Touch CT DMX/RF 4 zones - DX6	<a href="#">See Online</a>
LED Dimmer Touch DIM/CT DMX/RF 4 zones - DX7	<a href="#">See Online</a>
LED Dimmer DMX - DX61	<a href="#">See Online</a>
LED Dimmer DMX - DX62	<a href="#">See Online</a>
LED Dimmer DMX - DX63	<a href="#">See Online</a>
LED Dimmer Touch DMX/RF - DX1	<a href="#">See Online</a>
LED Dimmer Touch CT DMX/RF - DX2	<a href="#">See Online</a>
LED Dimmer Touch RGB DMX/RF - DX3	<a href="#">See Online</a>
LED Dimmer Touch RGBW DMX/RF - DX4	<a href="#">See Online</a>
LED Touch Controller DMX/RF/WIFI RGBW - UX8	<a href="#">See Online</a>



