

LTECH



LED Mini RF RGB - M3/M3-3A

22663

Datasheet

www.ltech-led.eu | ©2020 | Ltech Europe | All Rights Reserved.

Technical Specs

General	
Product Type	Constant Voltage Driver
Length (mm)	104
Width (mm)	58
Height (mm)	9
Housing Color	White
Housing Material	Plastic
Mounting	Surface mounted
Weight (g)	42
Electronics	
Input Domain	DC
Input Voltage	12 ~ 24V DC
Output Voltage	12 ~ 24 V DC
LED Output Current (max per o	3000
Output Current Max. (A)	9
Output Power (W)	108W @ 12V, 216W @ 24V
Power Supply	N/A
LED Outputs	3
Lighting	
Color Range	RGB
Control	
Output Signal	RF, PWM-CV
Control	Manual
Remote Distance	40m
Zones	1
Number of Channels	3
Functions	programmable
Wiring	
Wire Strip Length	5mm
Wire Type	2.5mm ²
Protection	
Reverse Polarity	Yes
Environmental	
Operating Temperature	-20 ~ 55 °C
Ingress Protection	IP20
Environment	Indoor
EU Declaration of Conformity	
2014/30/EU Electromagnetic C ETSI EN 301 489-1 V1.9.2	

489-3 V1.4.1 (2002-08)

-	
ETIM Classification	EC002924 Controller for luminaires
HS Code	8537109899
Country of Origin	People's Republic of China

Regulations

Approvals

CE	√
FCC	FCC Part 15:2009

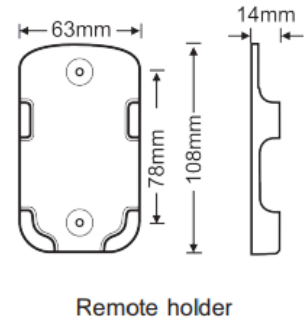
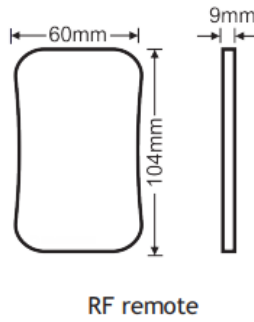
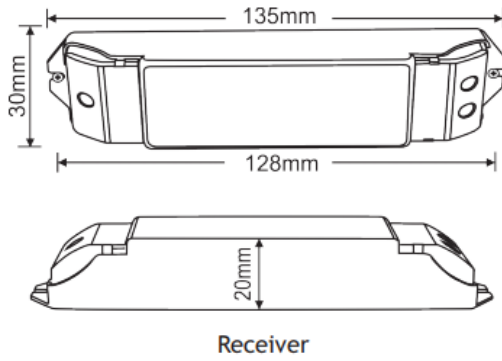


Order information

Code	Description
22663	LED Mini RF RGB - M3/M3-3A

Technical Drawings

3. Product Size:



Wiring Diagrams

7. Wiring Diagram:



Related Products

Product name	
LED Mini RF DIM - M1/M3-3A	See Online
LED Mini RF CW/WW - M2/M3-3A	See Online
LED Mini RF RGB - M3/M3-3A	See Online
LED Mini RF 3CT - M5/M3-3A	See Online
LED Mini RF RGB - M6/M3-3A	See Online
LED Mini RF RGB - M7/M3-3A	See Online

